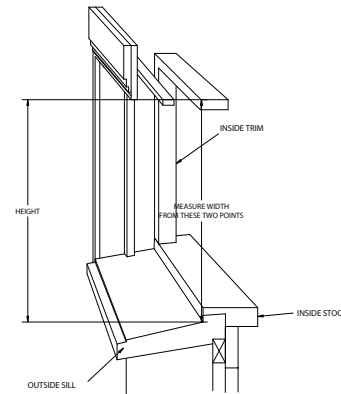
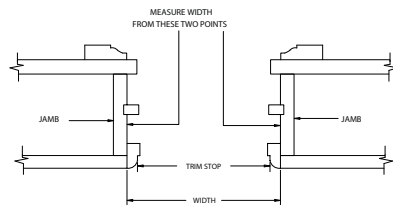


VINYL REPLACEMENT WINDOW(S) TYPICAL WINDOW MEASURING AND ORDERING INSTRUCTIONS

1. W - Measure width from inside of window opening from existing jamb to other existing jamb.
2. H - Measure height from inside window opening from head to stool along inside trim as shown.



WIDTH:

Measure between jambs at three points. Use smallest measurement.

To determine size width to be manufactured deduct $\frac{1}{4}$ " from smallest measurement. Hold size or drop to nearest $\frac{1}{8}$ ", $\frac{1}{4}$ ", $\frac{3}{8}$ ", $\frac{1}{2}$ ", $\frac{5}{8}$ ", $\frac{3}{4}$ ", $\frac{7}{8}$ " or full inch.

EXAMPLE:

Width dimension = $29 \frac{1}{2}$ " deduct $\frac{1}{4}$ " = $29 \frac{1}{4}$ "
(Replacement window manufactured width).

Window(s) are manufactured on $\frac{1}{8}$ ", $\frac{1}{4}$ ", $\frac{3}{8}$ ", $\frac{1}{2}$ ", $\frac{5}{8}$ ", $\frac{3}{4}$ ", $\frac{7}{8}$ ", or full inch in **width**.

NOTE: Always check depth of existing casing.

A depth of $3 \frac{1}{4}$ " is required for all model replacement windows.

HEIGHT:

Measure from high point of sill on house window to top of window casing on left and right sides. Use smallest measurement.

To determine size height to be manufactured deduct $\frac{1}{2}$ " from smallest measurement. Hold size or drop to nearest $\frac{1}{4}$ ", $\frac{1}{2}$ ", $\frac{3}{4}$ ", or full inch.

EXAMPLE:

Height dimension = $51 \frac{3}{8}$ " deduct $\frac{1}{2}$ " = $50 \frac{7}{8}$ "
(drop back to nearest $\frac{1}{4}$ ", $\frac{1}{2}$ ", $\frac{3}{4}$ ", or full inch) = $50 \frac{3}{4}$ ".
(Replacement window manufactured height).

Window(s) are manufactured on $\frac{1}{4}$ ", $\frac{1}{2}$ ", $\frac{3}{4}$ ", or full inch in **height**.

VINYL REPLACEMENT WINDOW

INSTALLATION INSTRUCTIONS

(Typical double hung window depicted)

STEP NO. 1: PREPARE OPENING

1. Remove all inside trim stops (Sketch No. 1).
2. Cut cord or chain on lower sash (Sketch No. 2).
3. Remove lower sash (Sketch No. 2).
4. Remove parting stops. (Sides and Top) (Sketch No. 3).
5. Remove upper sash. (Same way as lower). (Sketch No. 4).
6. Remove or hammer cord pulleys to provide a flush surface on both sides of opening.
7. Clean opening with brush or vacuum cleaner.

STEP NO. 2: STRIP WINDOW OF SHIPPING MATERIALS. CHECK FOR FOLLOWING PARTS.

1. Vinyl header expander (1).
2. Aluminum sill angle (1).
3. Installation screw package (packed behind bottom left sash stop when viewed from interior) contains: (4) – 2" x 8A phillips pan head stainless steel screws and (4) – 3/8" x 6A phillips pan head stainless steel screws.

STEP NO. 3: CHECK OPENING TO MAKE SURE OF CORRECT SIZE WINDOW.

1. Place header expander over TOP section of frame.
2. If sill angle is required (i.e. for sloped sills), place it 1/8" back from wood blind stops. Drill two 1/8" holes in sill angle and screw it down to wood sill with two 3/8" x 6A phillips pan head stainless steel screws. NOTE: Apply caulking to underside of sill angle.
3. Apply caulking to back of blind stop perimeter.
4. Lift frame into opening and set down over sill angle. Sill angle must be installed behind the frame sill exterior flange. (Sketch No. 5) NOTE: Slider windows should have continuous wood blocking installed under sill to support full width of slider sill.
5. Push top of frame (header expander) against blind stops. Remove upper interior sash stops using a flat blade screwdriver to expose installation holes and install two 2" x 8A phillips pan head stainless steel screws.
6. Raise or remove lower exterior sash stops to expose installation holes and install two 2" x 8A phillips pan head stainless steel screws. (One in each side of jamb). Draw screws up to create equal space on either side of frame. DO NOT OVERTIGHTEN. Leave screws relaxed. For slider windows follow same procedure but slide left and right sash towards center to expose installation holes.

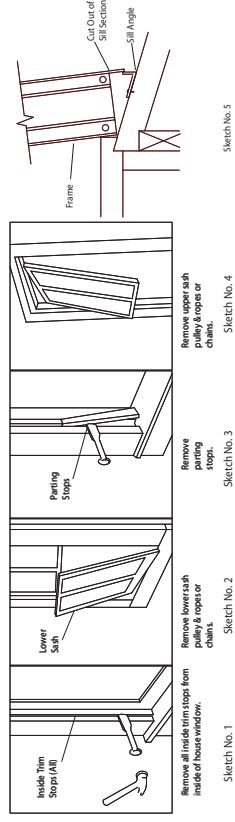
7. With a screwdriver push header expander upward as far as possible at both ends and center, and fix in place with two 3/8" x 6A phillips pan head stainless steel screws.

8. **Double Hung Windows:** Work the sash up and down then push all the way up. Turn "wafer head" screw type jamb adjuster clockwise until both sash align with master frame jambs. (NOTE: Monarch™ model has two (2) jamb adjusters located near the mid point of each master frame jamb.) DO NOT OVERDRAW. Follow same procedure with lower sash except bring down to closed position and lock. When the lock(s) and keeper(s) engage properly, the main frame installation screws can be tightened fully.

9. **Slider Windows:** Work the left and right moving sash (X panels) back and forth. It may be necessary to adjust the moving sash (X panels) rollers to a different position in order to square the sash and provide for proper lock and keeper alignment at the meeting rail. It is important to note that the main frame must be installed level and plumb prior to making any roller adjustments to the moving sash (X panels). When the main frame and all sash are level and plumb, turn "wafer head" screw type jamb adjuster clockwise until both sash align with main frame jambs. (NOTE: Monarch™ model has no jamb adjusters). DO NOT OVERDRAW. When the lock(s) and keeper(s) engage properly, the main frame installation screws can be tightened fully.
10. Recheck window operation.
11. Fill interior voids with loose batt type insulation such as rockwool or fiberglass. **DO NOT OVERPACK OR DISTORT JAMBS. AEROSOL FOAM INSULATION SHOULD NEVER BE USED.**
12. Replace old inside stops snug against frame making sure top header expander is snug against top casing. Caulk (seal) the complete exterior perimeter of window frame with a high quality exterior sealant to insure a watertight installation. Do not caulk over weeps. **INSTALLATION IS NOW COMPLETE.**

NOTE: When field stacking or joining windows together, it is imperative to use connecting mullion(s). Mullion(s) must be back sealed with high quality small joint sealant in order to ensure a proper watertight installation.

FAILURE TO FOLLOW INSTRUCTIONS VOIDS MANUFACTURER'S WARRANTY. SPECIFICATIONS SUBJECT TO CHANGE WITHOUT NOTICE.



Slocomb Windows & Doors, Inc.
767 Sans Souci Parkway • Hanover
TWP, PA 18706
Phone: 800-248-5494

SPECIFICATIONS SUBJECT TO CHANGE WITHOUT NOTICE

Form: Slocomb 08.2018